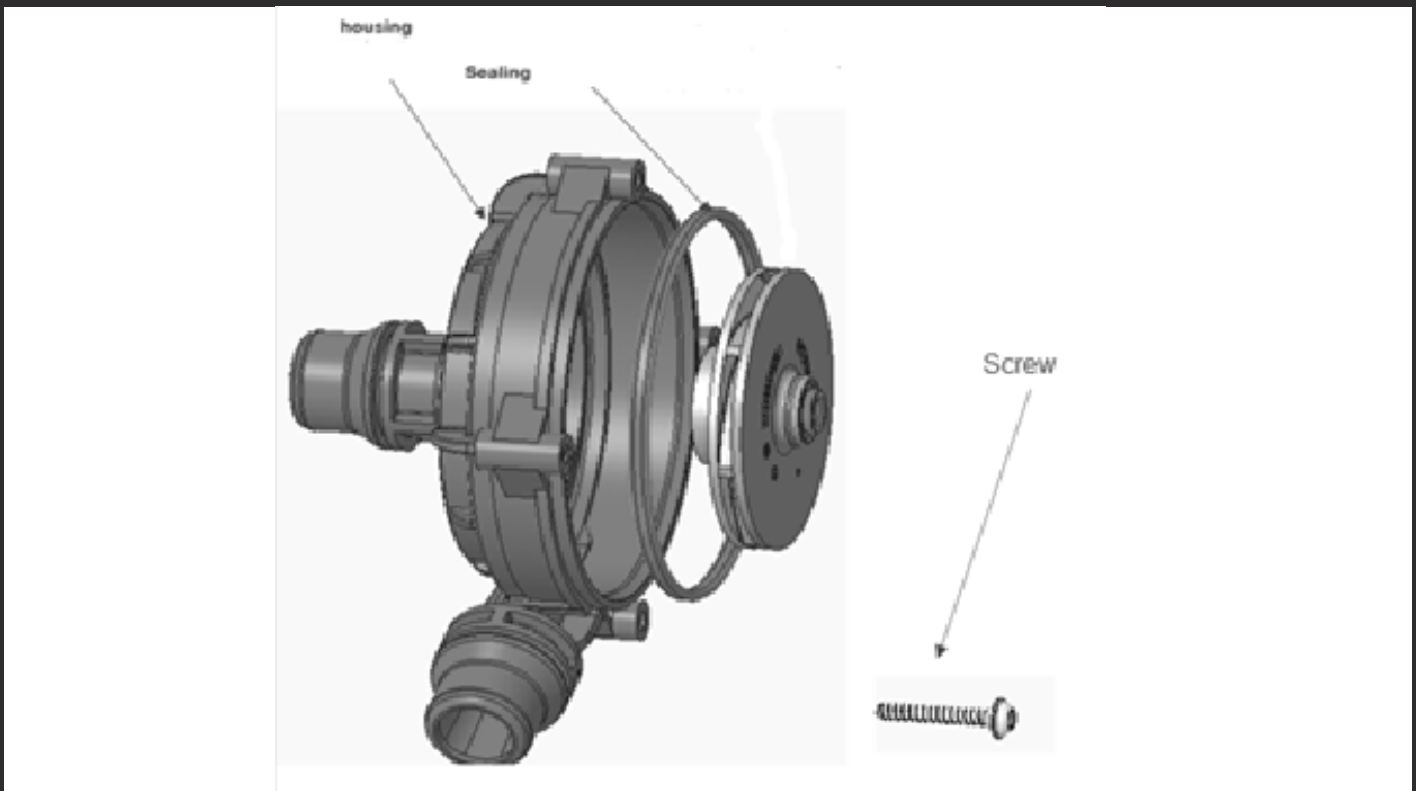


VITESCO TECHNOLOGIES Romania

Usage of Ansys Granta Selector and Eco Package for material selection considering the CO2 footprint



Pic. 1

Description

The objective of the user case was to evaluate Granta Selector and Eco Package as tools for selecting a housing plastic material, according to CO2 footprint and energy usage.

In the analysis, were included 3 components:

- Housing: 3 different thermoplastic materials
- Screws: carbon steel
- Sealing: EPDM material

Testimonial written by **Monica Buzdugan**

© INAS S.A., 2023

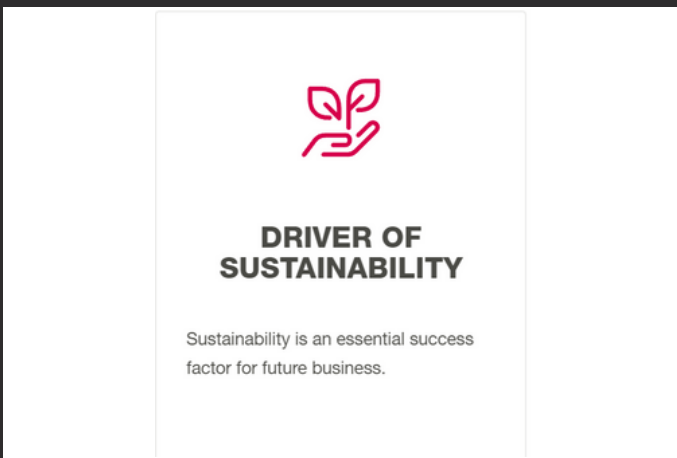
www.inas.ro

VITESCO TECHNOLOGIES Romania

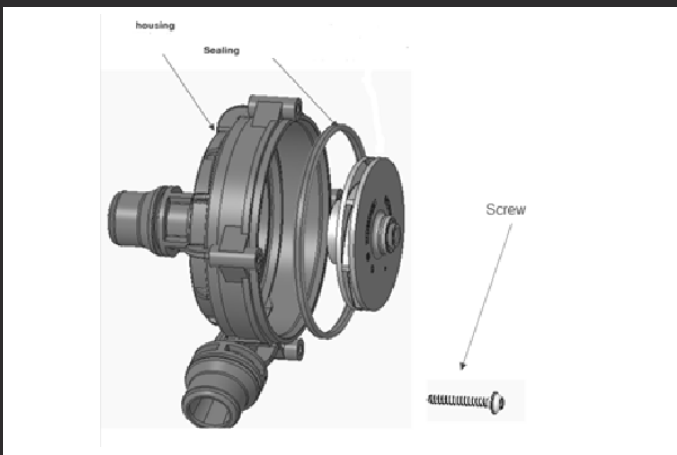
Usage of Ansys Granta Selector and Eco Package for material selection considering the CO2 footprint

Solution

The results shows that the PPA material has a higher CO2 footprint compared with the 2 other thermoplastic materials.



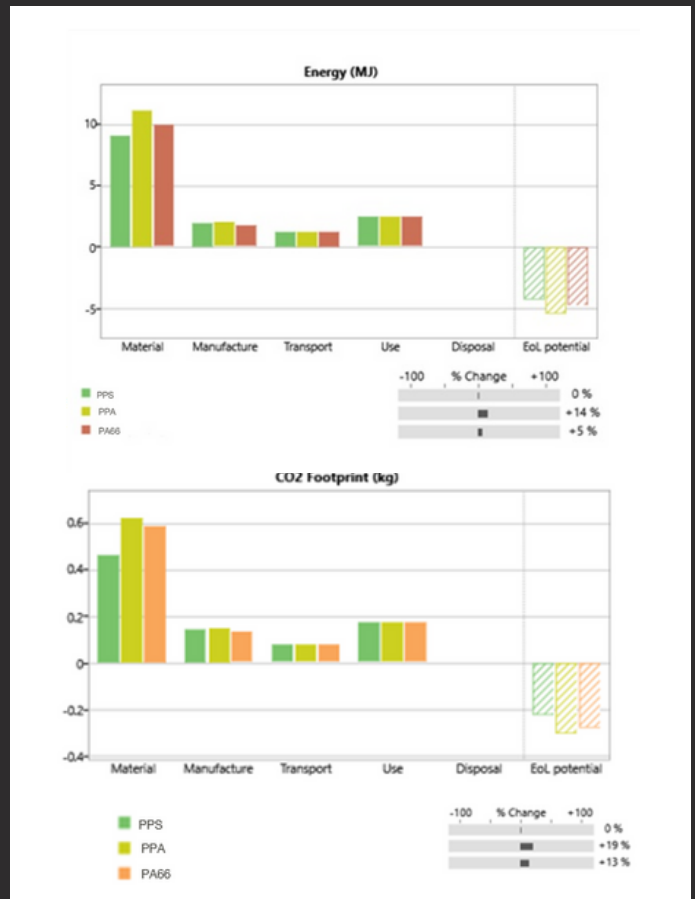
Pic. 2



Pic. 3

Benefits

- Suitable tool for material experts for early - stage screening, material comparison and selection
- Fast and easy evaluation of the environmental impact of our products, in the early stage of material selection



Pic.4: Environmental impact of product main life phase

Pic. 5: CO2 footprint of product main life phases

VITESCO TECHNOLOGIES Romania

Vitesco Technologies is a leading international developer and manufacturer of cutting-edge drive systems for sustainable mobility. With intelligent system solutions and components for electric, hybrid, and internal combustion drive systems, Vitesco Technologies is making mobility clean, efficient, and affordable.

The product portfolio includes electric drives, electronic controls, sensors and actuators, and exhaust gas treatment solutions.

Our 2030 Direction includes sustainability, which is an essential success factor for future business.

Testimonial written by **Monica Buzdugan**

© INAS S.A., 2023

www.inas.ro